

# AUTOMATIC TALLY MAZE

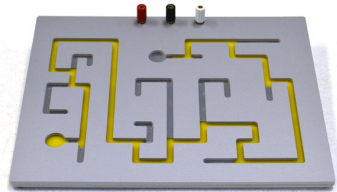
QUICK  
GUIDE

Model  
**20017**



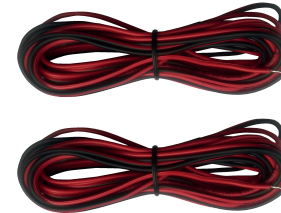
# ELEMENTOS/ACCESORIOS

a.



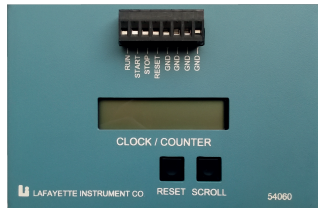
Automatic Tally Maze

d.



Connection Cable Set

b.



Clock / Counter

f.



Extension

c.



Impulse Response Counter

g.

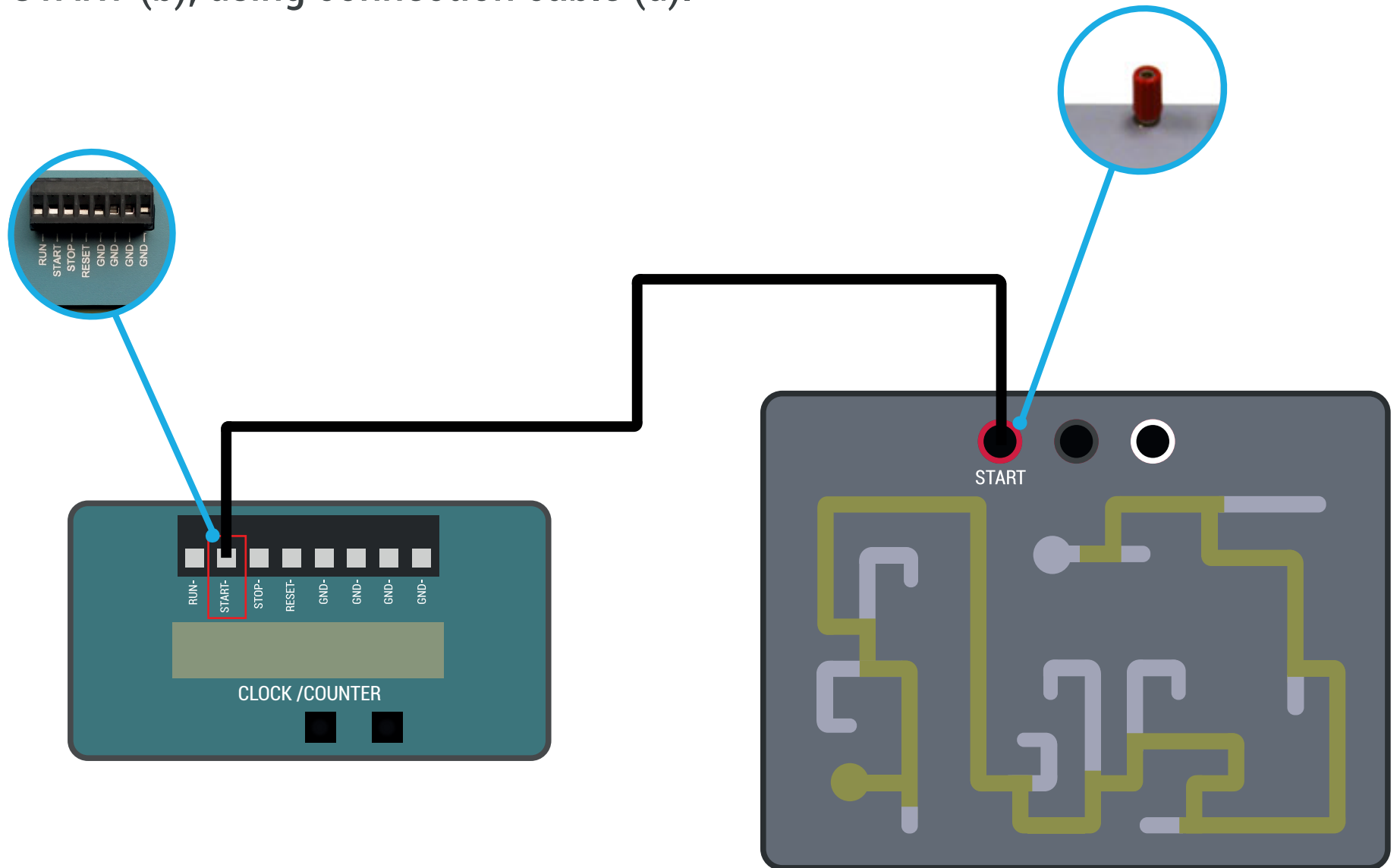


Stylus

(a) Automatic Tally Maze, (b) Clock / Counter , (c) Impulse Response Counter, (d) Connection Cable Set, (f) Extension, (g) Stylus.

# CONEXIÓN

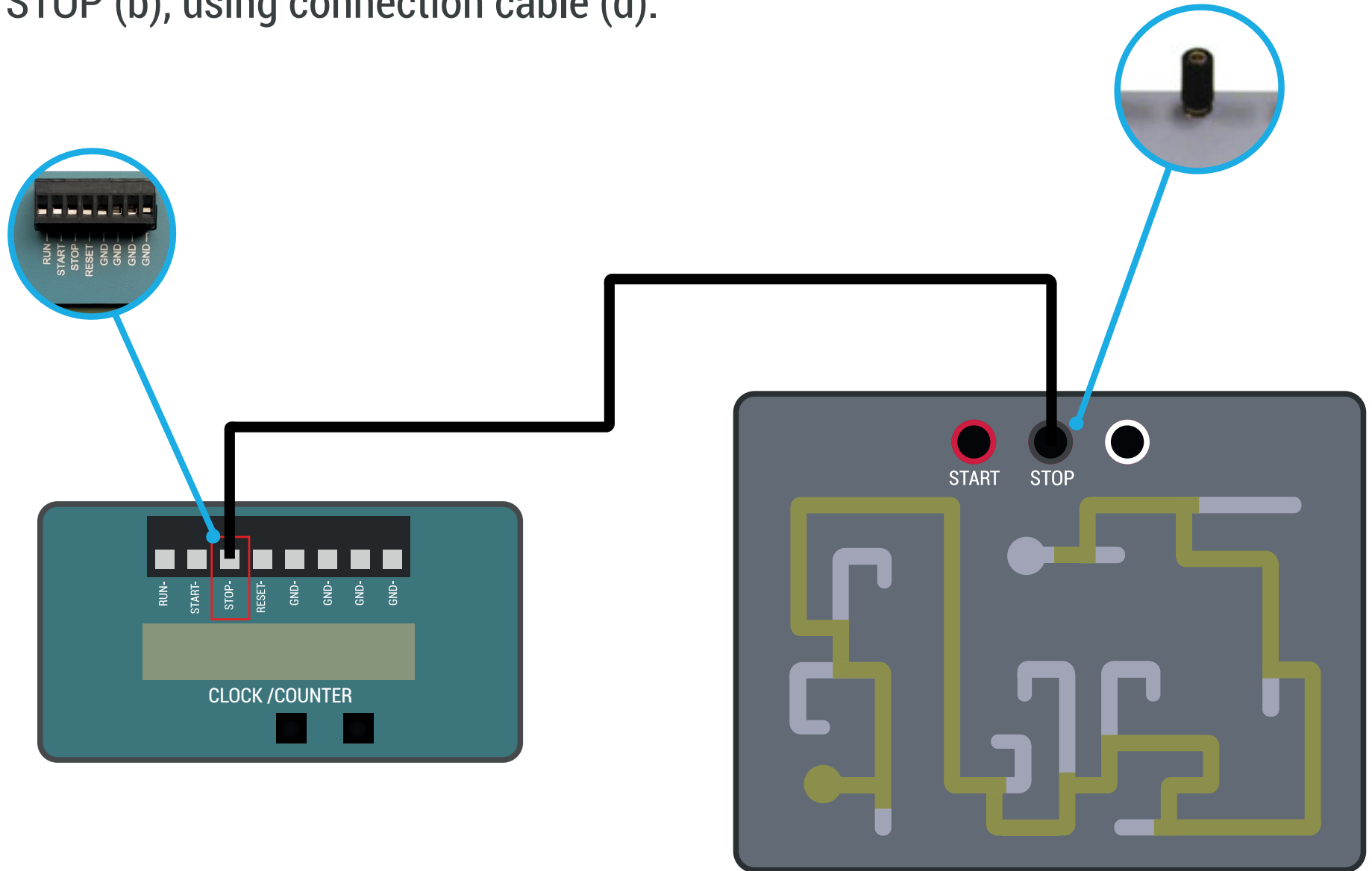
01. Connect Labyrinth START (a) to Clock/counter START (b), using connection cable (d).





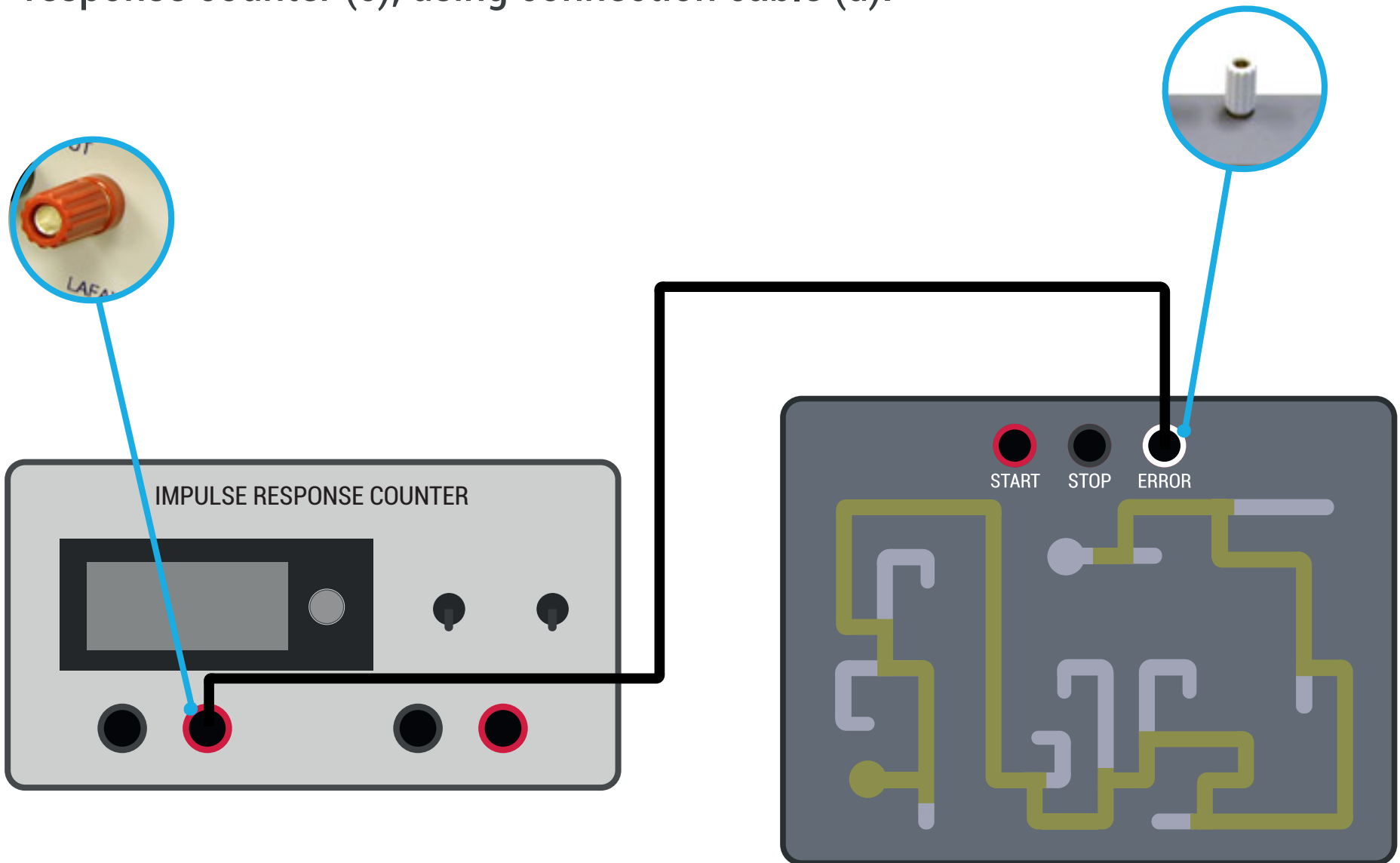
# CONEXIÓN

02. Connect Labyrinth STOP (a) to Clock/counter STOP (b), using connection cable (d).



## CONNECTION

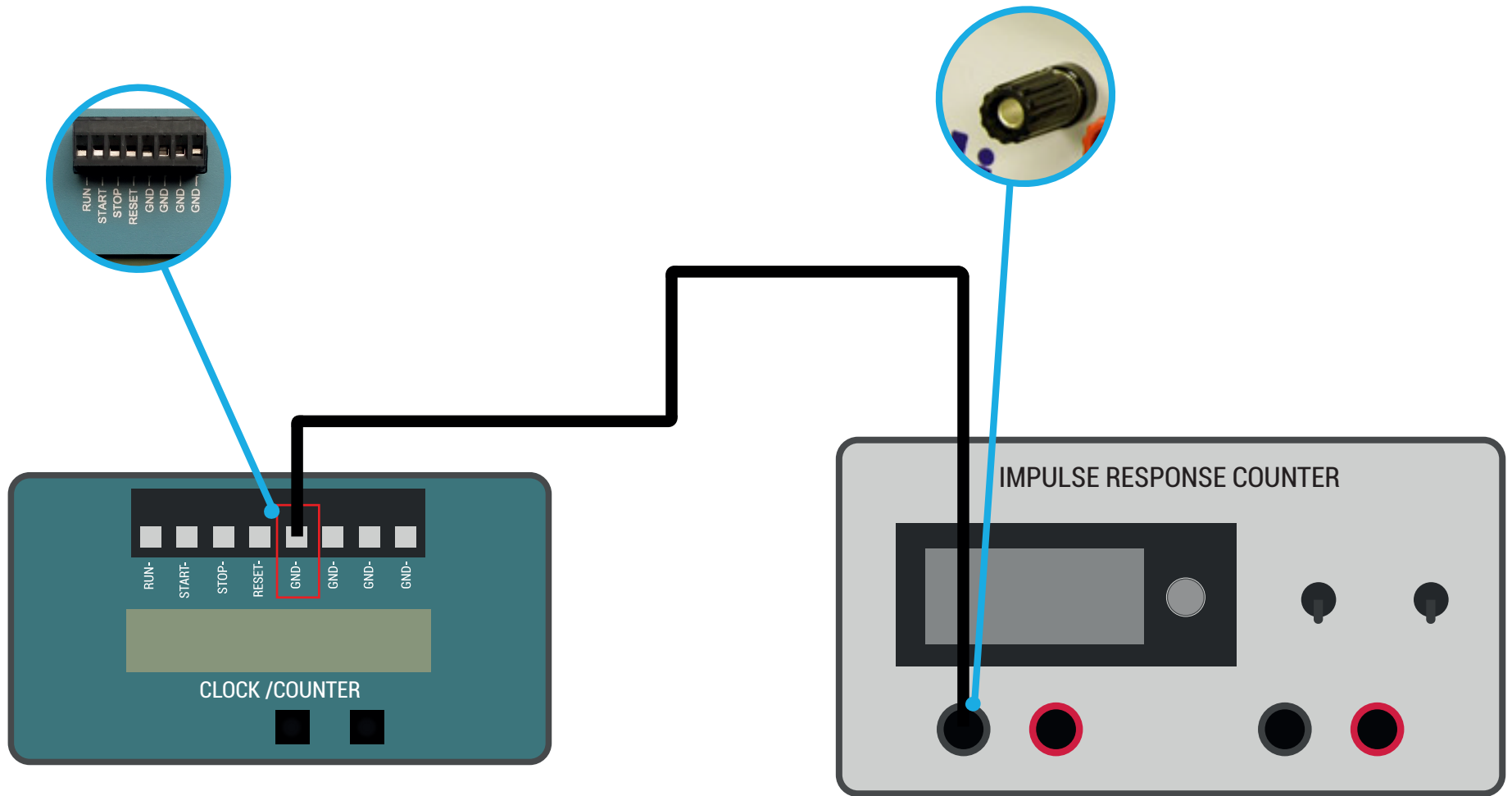
03. Connect Labyrinth ERROR (a) to impulse response counter (c), using connection cable (d).



5.

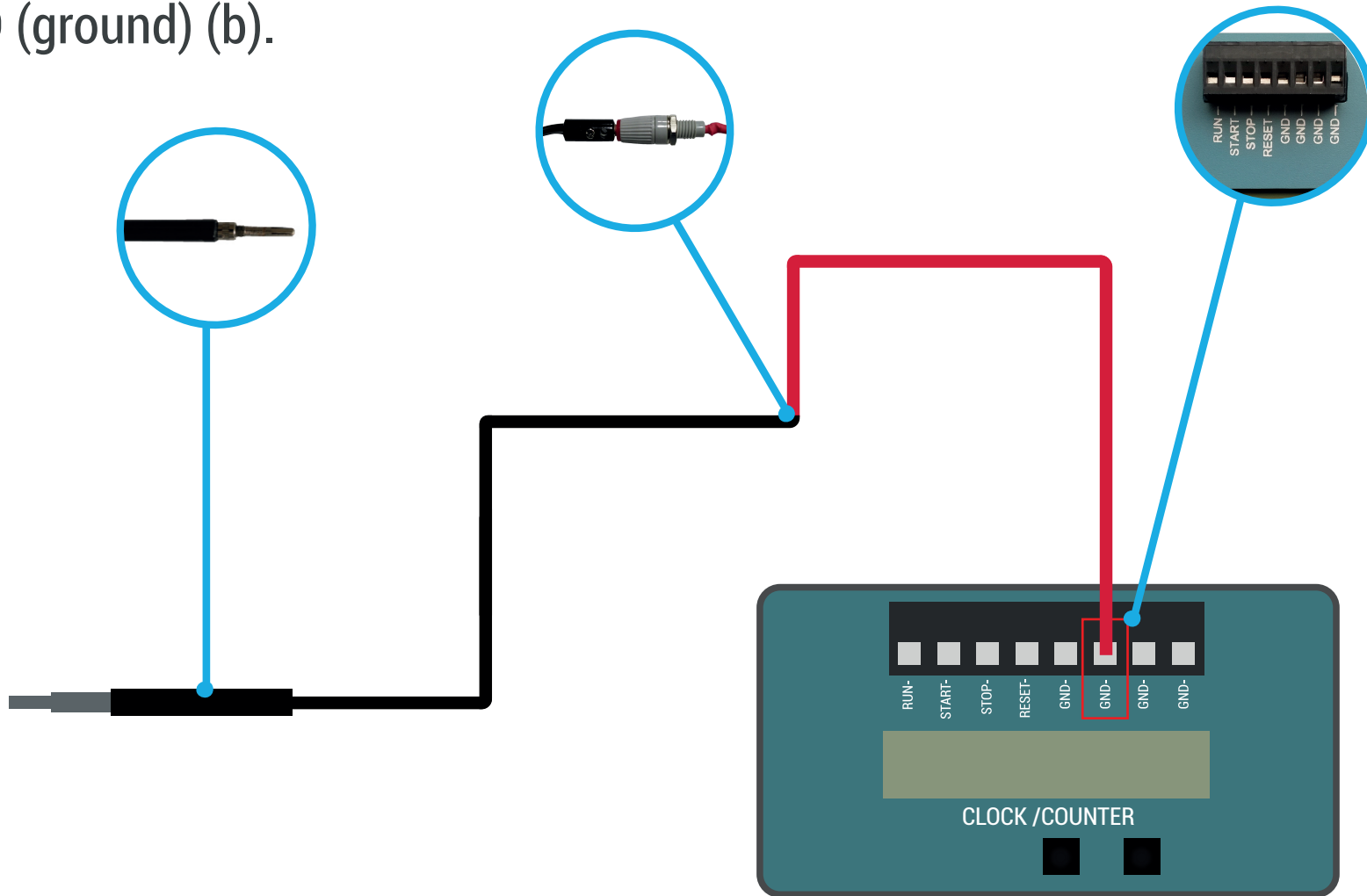
## CONNECTION

04. Connect the impulse response counter (c) input to the GND (ground) Clock/counter (b), using connection cable (d).



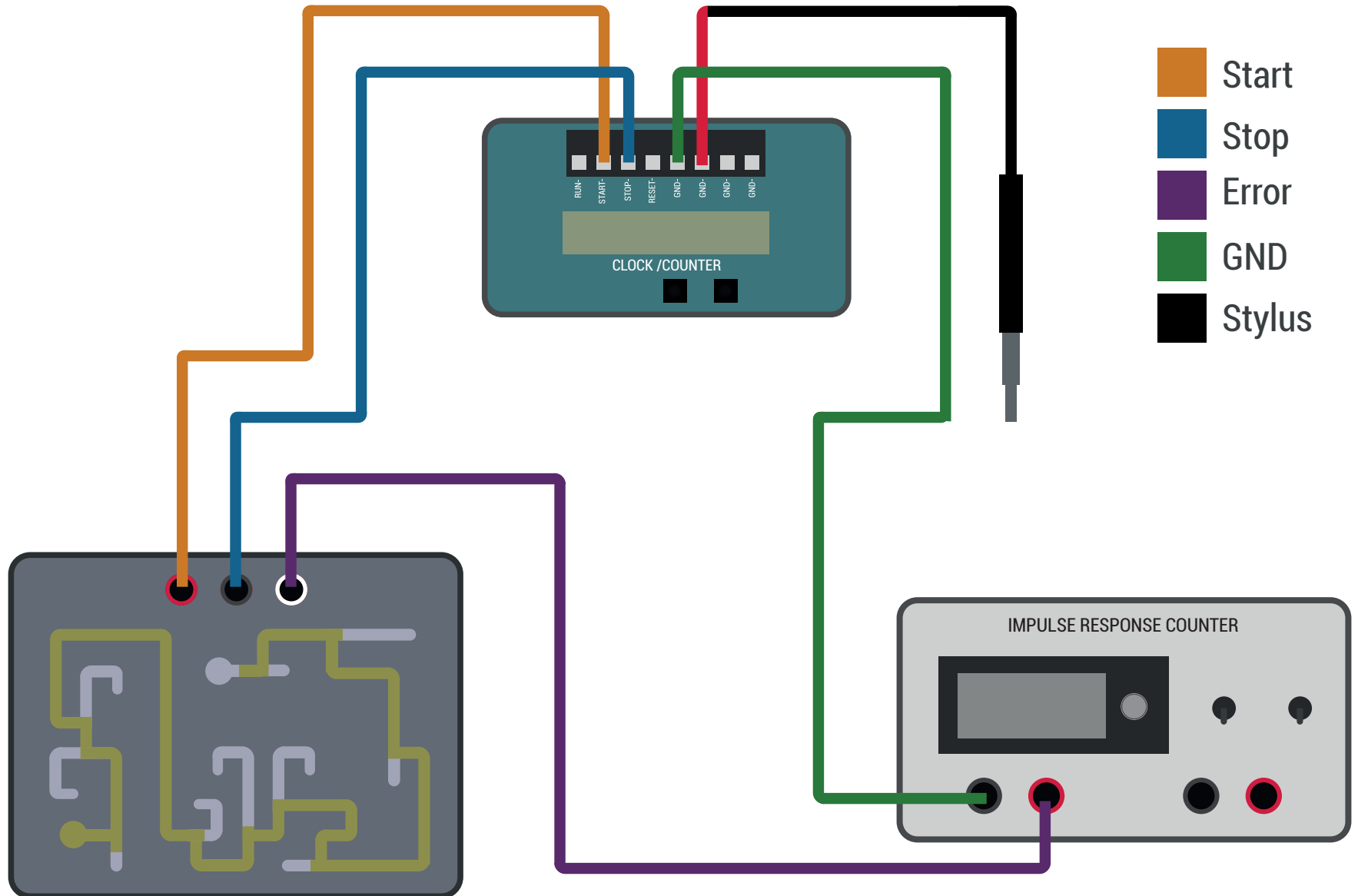
## CONNECTION

05. Connect the STYLUS (g) to the EXTENSION (f), finally connect the EXTENSION to the Clock/counter GND (ground) (b).



# GENERAL DISPLAY

Check the connection.





support@delarosaresearch.com  
(+57 1) 6275686  
(+57) 3003642343  
Cll 147 A # 48 - 08. Bogotá, Colombia  
2550NW 72nd Ave. Suite 115. Miami, Fl. 33122.